



Project: _____	AIA#
Item: _____	
Location: _____	SIS#
Approved: _____	

## DP FOOD PREPARATION SERIES

### DP67 Deli/Pizza Prep Table with Two Doors

**MODELS:**  
**DP67**



**DP67**

**3 Year Parts/Labor Warranty**  
**Additional 2 Year Compressor Warranty**

### CABINET CONSTRUCTION

- Stainless steel front, sides, top, doors, and grille (*galvanized back & bottom*)
- Interior liner is made of corrosion resistant aluminum
- Aluminum top interior liner prevents spill from falling into cabinet
- Stainless steel top
- Removable hoods and insulated lid assemblies are made of matching stainless steel
- Doors are self-closing on cam-lift hinges
- Snap-in door gaskets
- 120° Stay-open door feature
- Easy door removal for service and cleaning
- Field reversible doors
- 3" Casters, 2 with brakes standard
- 19" Wide reversible cutting board constructed of white polyethylene plastic
- Cutting board removable for cleaning
- Two epoxy-coated steel wire shelves per door
- Units will accept pans up to 6" deep (pans are not included)
- Maintains product temperatures between 36° to 38°F

### OPTIONS & ACCESSORIES

- Stainless steel back and grille
- Stainless steel interior
- Locks
- Composite cutting board
- Bun tray rack
- 6" Casters
- 6" Legs Black or Seismic / Flanged
- Remote option

### REFRIGERATION SYSTEM

- Refrigeration system uses R134a refrigerant to comply with all environmental concerns
- Automatic, non-electric defrost
- Epoxy coated evaporator coil

**DP67 Food Preparation : Deli/Pizza Prep Series**



3779 Champion Blvd., Winston-Salem, NC 27105  
 1-888-845-9800 Fax: 1-336-245-6453  
 Beverage-Air.com sales@bevair.com

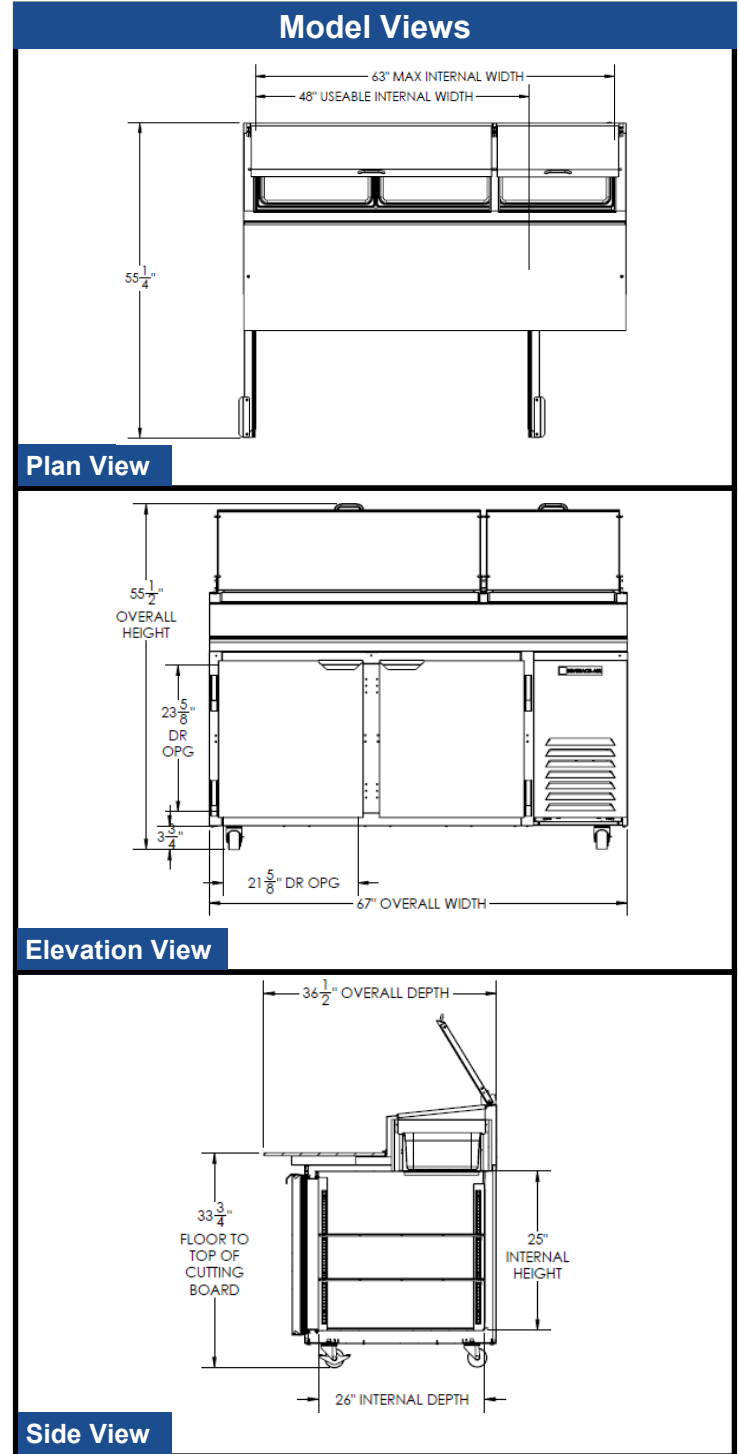


# BEVERAGE-AIR

MODEL	DP67
<b>EXTERNAL DIMENSIONAL DATA</b>	
Width Overall	67"
Depth Overall with Cutting Board	36 1/2"
Height Overall with 3" Casters	55 1/2"
Number of Doors	2
Depth with Door Open 90 °	55 1/4"
Door Opening (in)	(2) 21 5/8" x 23
Depth, Cutting Board	19"
<b>INTERNAL DIMENSIONAL DATA</b>	
NET Capacity (cubic ft.)	20.68
Internal Width Useable (in)	48"
Internal Depth Overall (in)	26"
Internal Height Overall (in)	25"
Number of Shelves	4
<b>ELECTRICAL DATA</b>	
Full Load Amperes 115/60/1	6.3
<b>REFRIGERATION DATA</b>	
Horsepower	1/4
<b>WEIGHT DATA</b>	
Gross Weight (Crated lbs)	440 lbs
Height - Crated	47 1/2"
Width - Crated	70"
Depth - Crated	37"

## Deli/Pizza Preparation Table

Models: DP67



### ELECTRICAL CONNECTION



115/60/1  
NEMA-5-15P

Units pre-wired at factory and include 8' long cord and plug set.



an Ali Group Company



The Spirit of Excellence

3779 Champion Blvd., Winston-Salem, NC 27105  
1-888-845-9800 Fax: 1-336-245-6453  
Beverage-Air.com sales@bevair.com